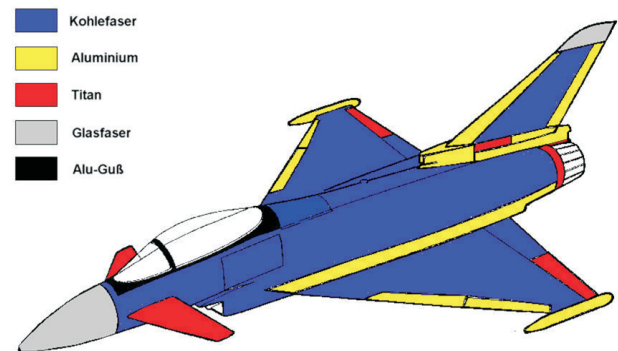
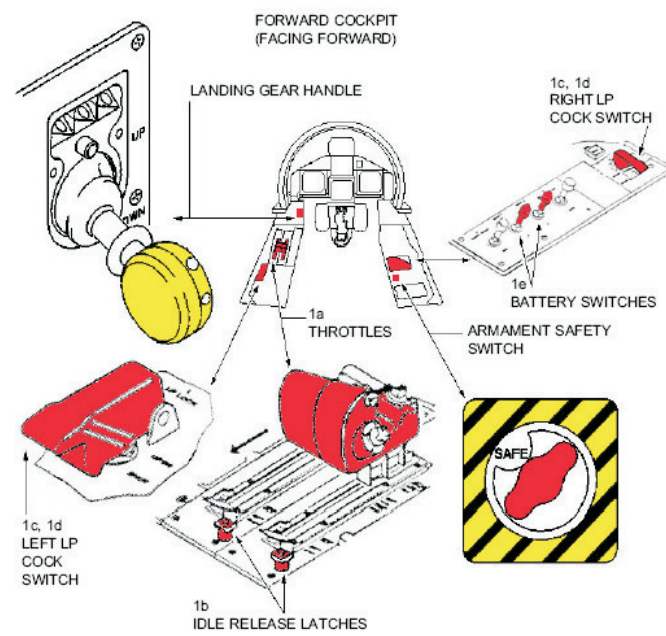
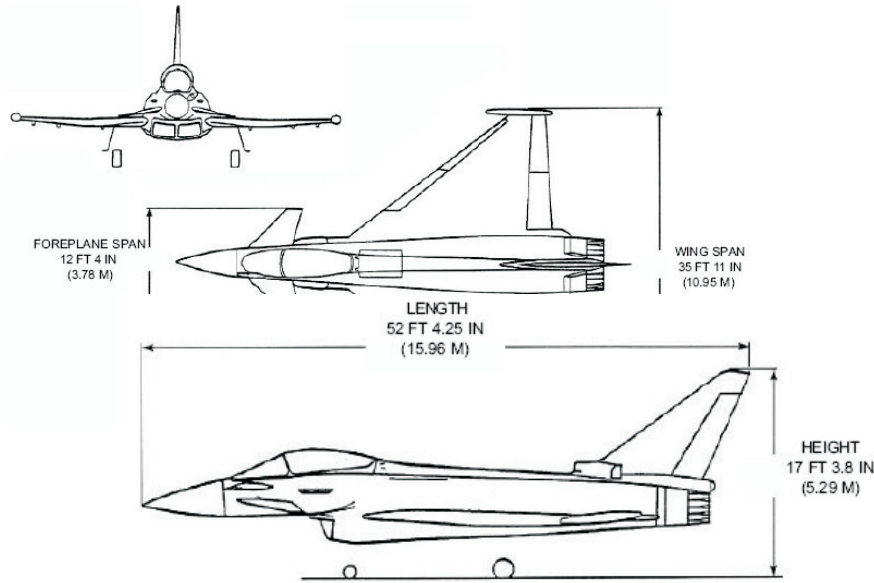




# Eurofighter Typhoon

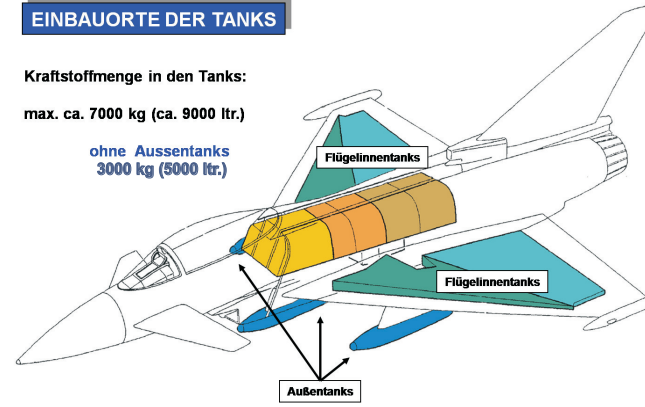


## EINBAUORTE DER TANKS

Leergewicht:  
11.000 kg

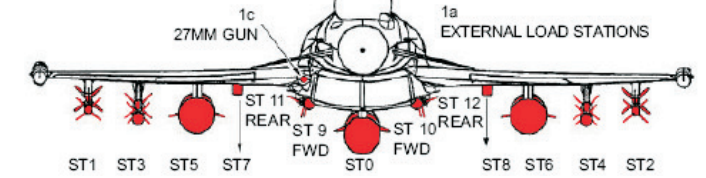
max. Startgewicht:  
23.500 kg

Kraftstoffmenge in den Tanks:  
max. ca. 7000 kg (ca. 9000 ltr.)  
ohne Aussen tanks  
3000 kg (5000 ltr.)

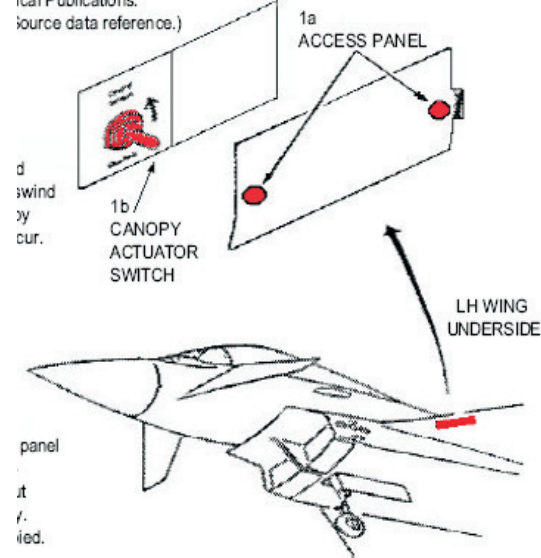


## WARNING

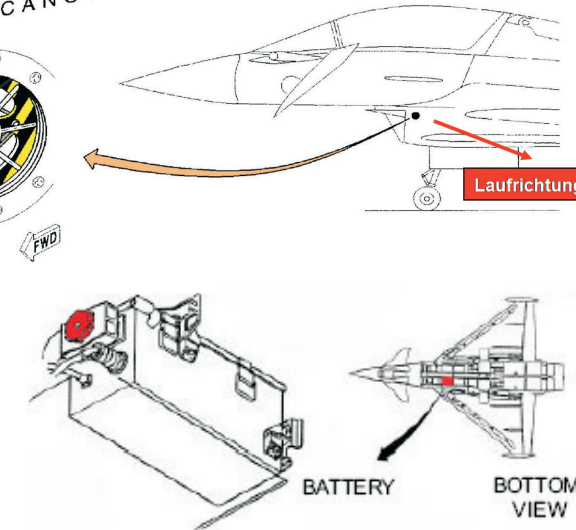
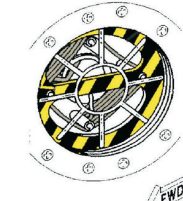
The external stores areas can be in front, behind, and below. Only authorized persons should be permitted in these areas.



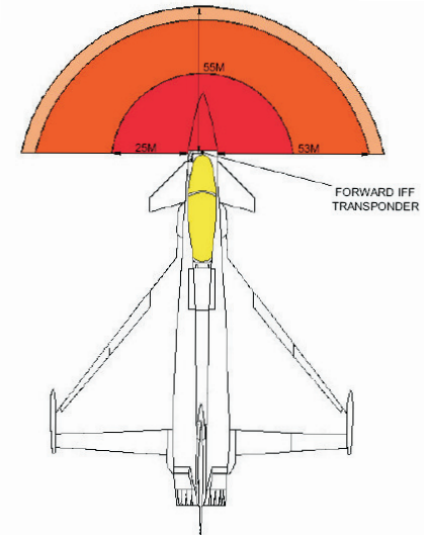
Technical Publications:  
(source data reference.)



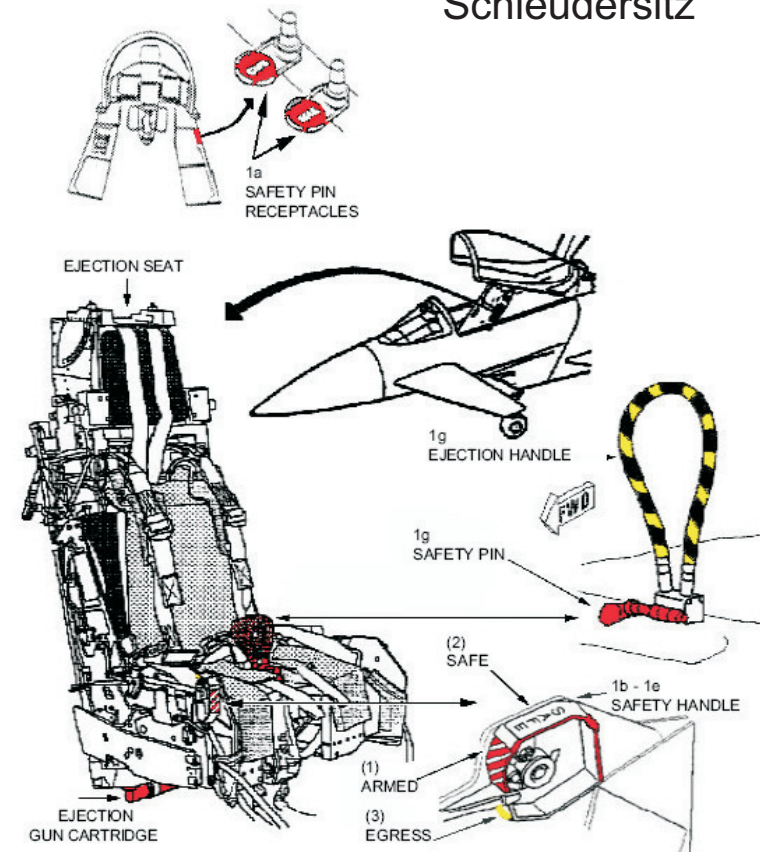
## EMERGENCY RELEASE EXPLOSIVE CANOPY



## Radar



## Schleudersitz



## 1. ENGINE INTAKE AND EXHAUST HAZARD AREAS

NOTE:  
The aircraft is powered by two Eurojet EJ 2000 two-spool axial flow turbofan engines with afterburner.

